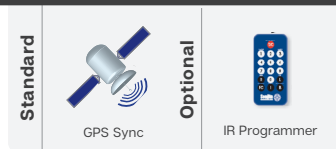


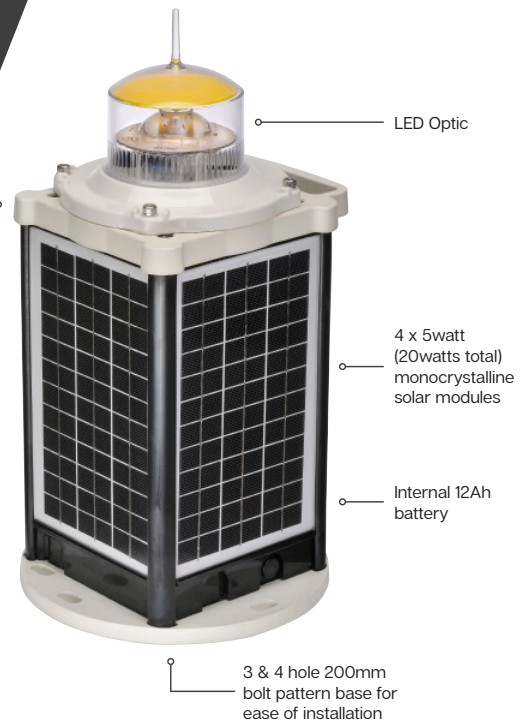
3–5NM Solar Marine Lantern

SL-C310



This equipment complies with requirements of the U.S. Coast Guard in 33 CFR part 66

Robust composite moulded base and top with handle. Aluminium chassis with rubber extruded corners



The SL-C310 is a robust, completely self-contained 3–5NM Solar LED Lantern specifically designed to withstand the tough marine environment, providing years of reliable, low-maintenance service. The 3 & 4 hole bolt pattern base fits directly onto existing 200mm bolt pattern industry standard mounts for ease of installation.

The base and top of the SL-C310 are made from composite moulded polycarbonate, with UV-stabilised rubber corners and gaskets providing a superior IP68 waterproof rating – the best in the industry.

Four (4) premium-grade solar modules are integrated into the assembly, and mounted to collect sunlight at all angles.

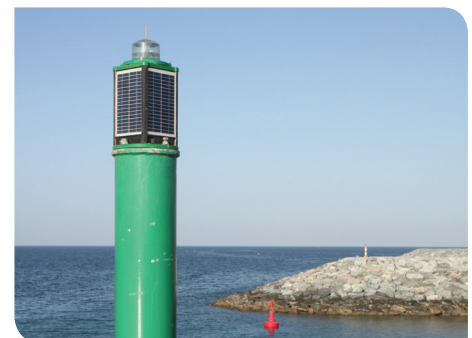
The tough, polycarbonate lens is specifically designed for use with LEDs and incorporates an environment-friendly spike – deterring unwelcome bird life. The lens design also ensures that vessel operators clearly see the light from above when passing the AtoN.

The SL-C310 comes with standard rotary switches for convenient in-field changes of flash characters and intensity selection. In addition, the unit may be provided with an IR programmer for added functionality. Programmable features include; flash code adjustment, battery diagnostics, lux adjustment and hibernation mode.

GPS Synchronisation

Sealite has utilised the latest advancements in GPS technology to develop an internal synchronisation system that is incorporated into the SL-C310 lantern. Using overhead satellites, lights set to the same flash pattern will flash in unison.

When lanterns flash in synchronisation they can be clearly distinguished from other nav aids and confusing background lighting – ideal for rivers, marina entrances, channel marking and aquaculture.



Features

- GPS synchronisation
- Heavy-duty aluminium chassis
- User replaceable components
- 200mm bolt pattern for easy installation
- Rotary switches for flash characters & intensity selection

High Performance

- Low ongoing maintenance costs
- Premium grade solar modules

Applications

- Tough marine environments

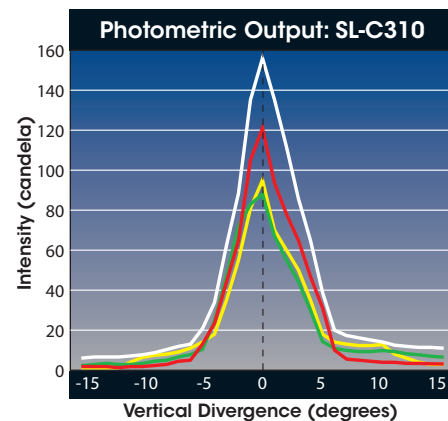
Optional

- IR programmable
- External On/Off switch
- External battery charging port

Technical Specifications *

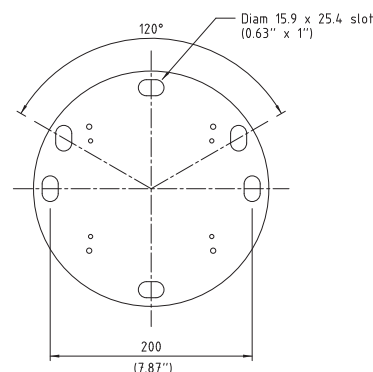
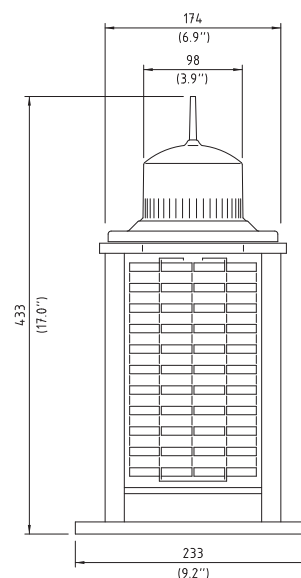
SL-C310	
Light Characteristics	
Light Source	LED
Available Colours	Red, Green, White, Yellow, Blue
Typical Maximum Intensity (cd)*	Red - 121 Green - 88 White - 156 Yellow - 95
Visible Range (NM)	AT @ 0.74: 3-5 AT @ 0.85: 3.5-6.3
Horizontal Output (degrees)	360
Vertical Divergence (degrees)	>7
Available Flash Characteristics	Up to 310 IALA recommended (user adjustable)
Intensity Adjustments	Multiple intensity settings
LED Life Expectancy (hours)	>100,000
Electrical Characteristics	
Current Draw (mA)	Refer to Sealite Power Calculator
Circuit Protection	Integrated
Nominal Voltage (V)	12
Autonomy (nights)	>60 (14 hour darkness, 12.5% duty cycle)
Temperature Range	-40 to 80°C
Solar Characteristics	
Solar Module Type	Monocrystalline
Output (watts)	20 (4 x 5watt)
Charging Regulation	Microprocessor controlled
Power Supply	
Battery Type	Gel SLA
Battery Capacity (Ah)	12
Nominal Voltage (V)	12
Physical Characteristics	
Body Material	Aluminium chassis with UV-stabilised rubber corners and gaskets. Polycarbonate composite moulded top and base
Lens Material	LEXAN® Polycarbonate – UV-stabilised
Lens Diameter (mm/inches)	98 / 3 ⁷ / ₈
Lens Design	Single LED Optic
Mounting	3 & 4 hole 200mm bolt pattern
Height (mm/inches)	433 / 17
Width (mm/inches)	233 / 9 ¹ / ₅
Mass (kg/lbs)	9.4 / 20 ³ / ₄
Product Life Expectancy	Up to 12 years ^
Certifications	
CE	EN61000-6-1:2007, IEC61000-6-1:2005, EN61000-6-3:2007, IEC61000-6-3:2006
IALA	Signal colours compliant to IALA E-200-1
Quality Assurance	ISO 9001:2015
Waterproof	IP68
Intellectual Property	
Trademarks	SEALITE® is a registered trademark of Sealite Pty Ltd
Warranty *	3 years
Options Available	<ul style="list-style-type: none"> • 50mm pole mount adapter plate • IR Programmer • External ON/OFF Switch • External Battery Charging Port • GPS Synchronisation: enable/disable • 5° Lens

Photometric Output



Typical Maximum Intensity (cd)	
SL-C310	
RED	121
GREEN	88
WHITE	156
YELLOW	95

Technical Illustration



HOW TO ORDER SL-C310

SL-C310-S2-[colour]-[?]

Product No.: _____

Series: _____

Colour: _____

Options: _____

CP - Charging Port
SW - ON/OFF Switch

We believe technology improves navigation™



Sealite Pty Ltd
Australia
+61 (0)3 5977 6128

Sealite Asia Pte Ltd
Singapore
+65 6908 2917

Sealite United Kingdom Ltd
UK
+44 (0) 1502 588026

Sealite USA LLC
USA
+1 (603) 737 1311

